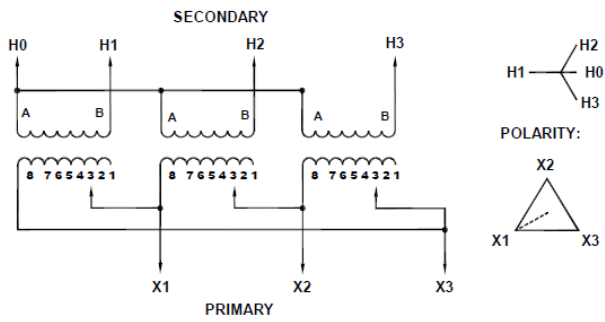


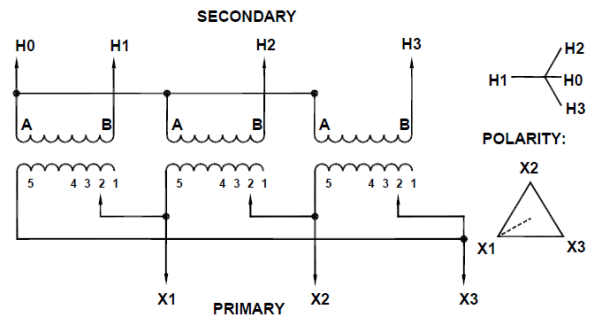
**DIAGRAM "342B"**

VOLTS	TAP
218	1
213	2
208	3
203	4
198	5
192	6
187	7



**DIAGRAM "351A"**

VOLTS	TAP
218	1
208	2
198	3
187	4



**DIAGRAM "333B"**

VOLTS	CONNECT
218	3 TO 4
208	3 TO 5
198	2 TO 4
187	2 TO 5

